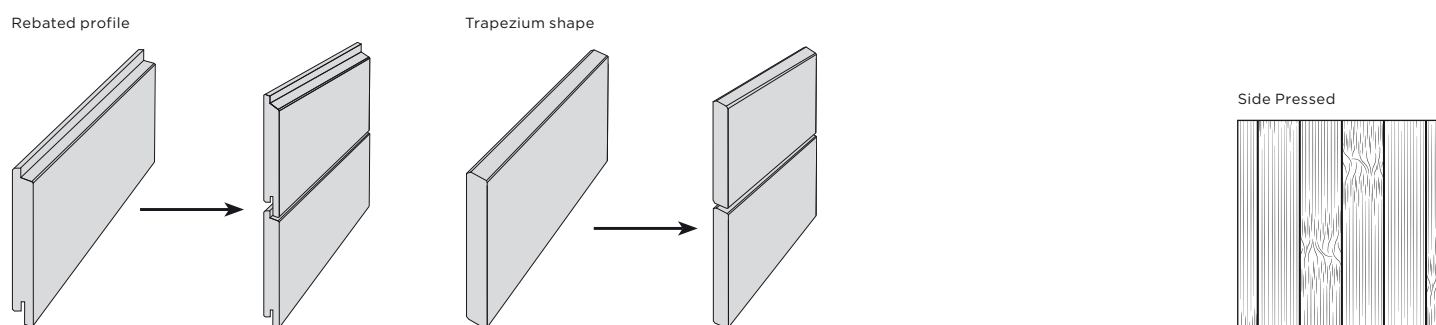


MOSO® bamboo n-finity outdoor cladding

MOSO® Bamboo N-finity Cladding is a solid, laminated bamboo board that is impregnated for outdoor use. The special impregnation process provides the product the highest durability class possible following EU norm EN 350 (see technical characteristics below).

MOSO® Bamboo N-finity Cladding is available in two standard lengths, and on request even in lengths up to 5800 mm. The extraordinary length is achieved by connecting the strips with a special patented hook connection. MOSO® Bamboo N-finity Cladding is available in 2 shapes: a rebated profile and a trapezium shape. The former is installed with fasteners and screws and the latter with screws. Like any untreated tropical hardwood species, when exposed to outdoor conditions, MOSO® Bamboo N-finity will turn grey over time creating a very natural look.



B: Bevel, F: Flat, T/G: Tongue/Groove

Product Code	Type	Grooved	Finish	Edges	Surface	Head-side T/G	Effective width (mm)	Dimensions (mm)
BO-IL500G-540	Rebated	Yes	Unfinished	B	F	No	128*	5400x140x18
BO-IL500G-240	Rebated	Yes	Unfinished	B	F	No	128*	2400x140x18
BO-IL510-540	Trapezium	No	Unfinished	B	F	No	137*	5400x140x18
BO-IL510-240	Trapezium	No	Unfinished	B	F	No	137*	2400x140x18

* Effective width without distance between the boards, recommended distance 6 mm.

Other dimensions can be produced custom made.

installation summary

(full version available on www.moso.eu/n-finity)

- Apply a waterproof membrane against the wall and screw vertical battens (at least 20 mm thick, 60 mm wide) onto that, creating a rigid/flat surface onto which the boards can be fixed.
- Fix the cladding boards, starting with the lowest row of boards.
- **Trapezium version:** Use a countersink drill to predrill the screw holes; always use 2 screws on each batten. Install the board and make sure it is placed fully level. Make sure the screws used are suitable for the material used as battens. Install the second row of boards, using a minimum 6 mm spacing. Continue with the rest of the rows.
- **Rebated version:** Use the MOSO® Fastener (CLIPSCREW-BX04) to fix the boards onto the battens; always use 2 fasteners on each batten. The boards must be placed fully level. Make sure the screws used are suitable for the material used as battens. Continue with the rest of the rows.
- Cutting, planing and sanding should be avoided as it removes the anti-fungal protection.
- Bamboo N-finity does not require a finish, unless you want to slow down its natural weathering behavior. The material will turn light grey if you do not apply any finish.
- To finish the material we advise the use of Sikkens Cetol Savannah, which is a Saturator.

technical characteristics and certifications

- Density: +/- 700 kg/m³
- Shrink/Swell: 0.14% per 1% change in Moisture Content
- Resistance to Indentation - Brinell Hardness: ≥ 4 kg/mm² (EN 1534)
- Reaction to fire: Class D-s2-d0¹⁾ (EN 13501-1)
- Impregnation preservatives: comply with European biocide product regulation (BPR) and are not listed on the restrictions list of REACH Annex XVII/candidate list
- Modulus of Elasticity: 9721 N/mm² (SP), 8866 N/mm² (PP) (EN 408)
- Bending strength: 56.7 N/mm² (SP), 50.8 N/mm² (PP) (EN 408)
- Biological durability: Class 1 (EN 350 / CEN/TS 15083-1)
- Effectiveness against surface fungi: Class 0, Strong fungi static (EN ISO 846), impregnation only superficial (2-3 mm)
- Use Class: Class 3 (EN 335)
- FSC®: Products available with FSC® certification on request
- Contribution LEED BD+C - v4: MR 1, MR 2, MR 3 (FSC®) v2009: MR 6, MR 7 (FSC®)
- Contribution BREEAM: MAT 1, MAT 3 (FSC®)

¹⁾ Tested on 18 and 36 mm thickness, without gaps between boards, with ventilation space behind boards.



breem



The mark of responsible forestry
FSC® C002063